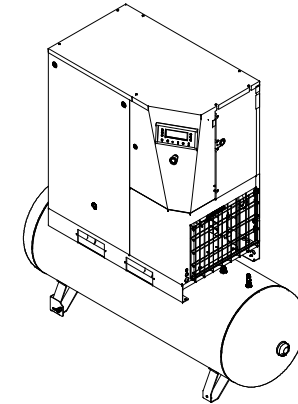
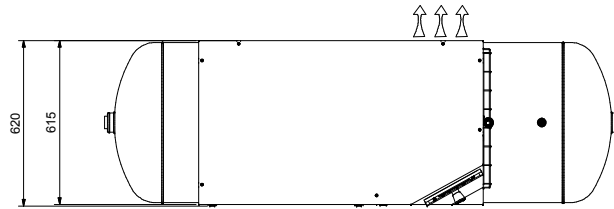
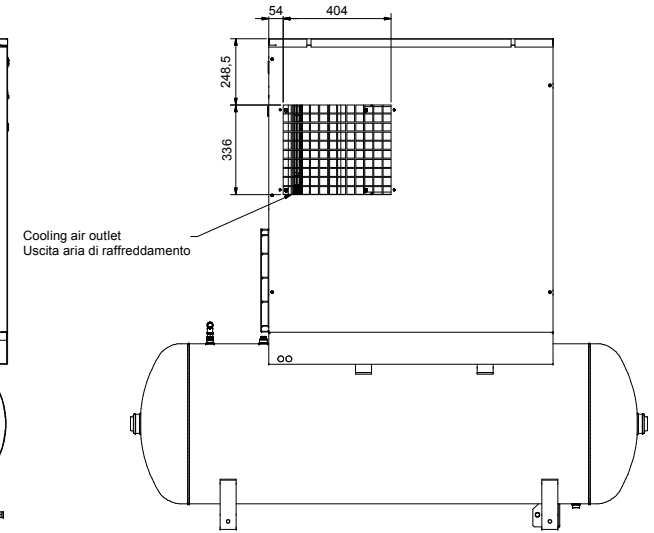
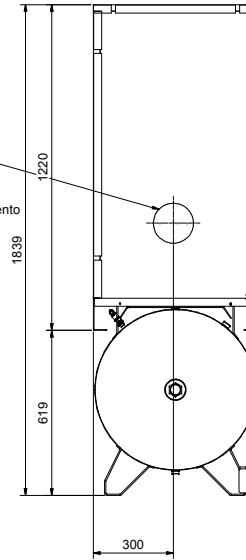
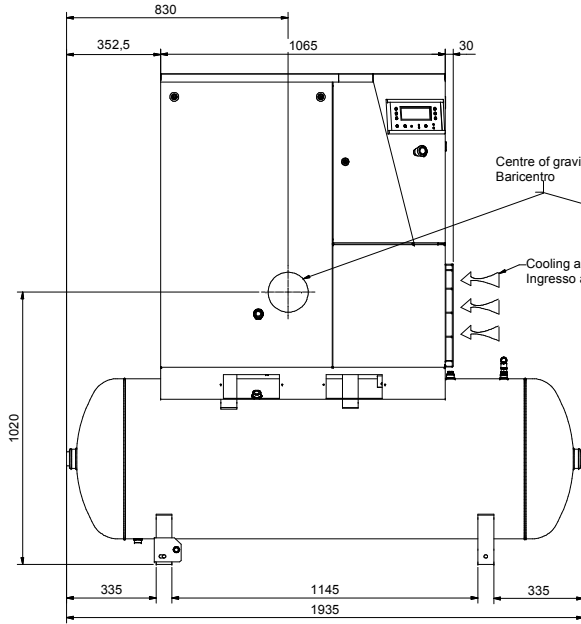
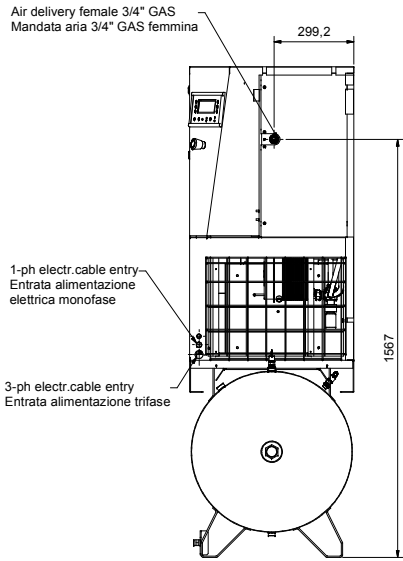
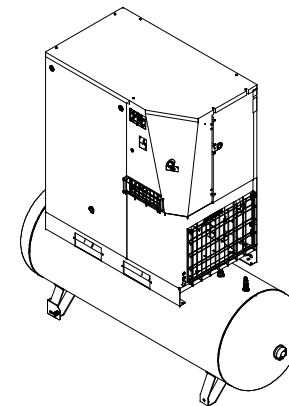
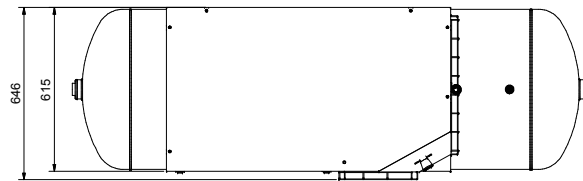


# GENESIS 5.5kW...15 kW on Tank 500L



# GENESIS 11kW on Tank 500L+VSD



All materials supplied are in compliance with the requirements of the List of Prohibited Substances

Tolerances, if not indicated, according to:					
ATLAS COPCO STANDARD CLASS					
Name	-	Scale	1:10	Family	A1
Material		Drawn by	afalone	Blank nr.	
Treatment		kg	591.120	kg	591.120
		Replaces		Designation	
		Replaces		Sheet	1 / 1
		Replaces		CAI	
9828493003		00.00		9828493003	
Parent 3D model	Ed. / Version 3D	Preliminary	Version Dwg 30.00	Blank nr.	kg
			Des checked	Prod checked	Approved
					Date 2010/09/23

CONFIDENTIAL: This document is a property of Atlas Copco and its use is limited to the permission to attend the activities of the customer. It is not to be distributed outside the company.

00.00	Issued	cd1243119-23-09-2010 DN10 0568 26	2010/09/23		
Ed	Posi- tion	Gewijzigd van Modified from	Datum Date	Ingr./Goedg Inr./Appd.	